



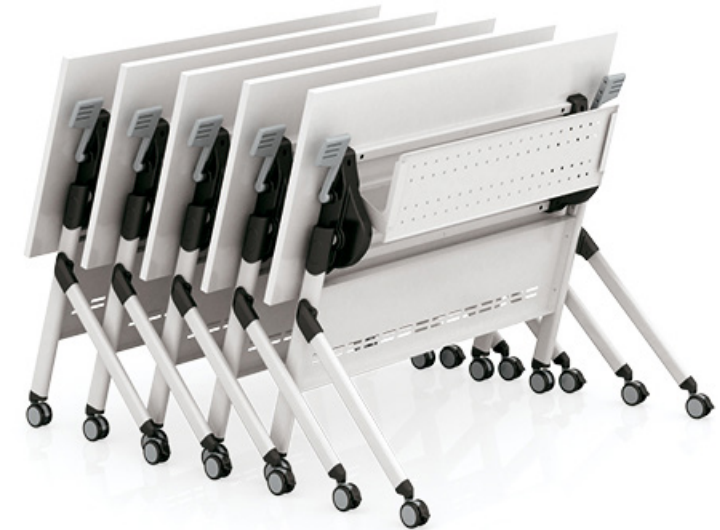
FOLDABLE TRAINING TABLES



OFFICE PLANNER
CREATING WORK GEMS

FOLDABLE TRAINING TABLES

AW LEG



ABOUT

Tables with wheels feature locking casters that keep them secure during use for added safety. Consider wheeled options that fold or flip to maximise storage space and simplify clean-up.

Stationary tables are ideal for dedicated training and meeting areas. They remain in one place, so they are always ready for impromptu sessions. Stationary tables are heavier and sturdier, providing a workspace that withstands frequent use.

Laminate tabletops are water and stain-resistant, making them a good choice for rooms where beverages and food are acceptable. Plywood tops offer a lightweight alternative to other options, while melamine is strong, making it ideal for rooms where tables need to be moved frequently.

Worktop Width: 800mm (min.) - 2000mm (max.)
Worktop Depth: 600mm (min.) - 750mm (max.)
Standard Colour: White / Black / Silver / Dark Grey

FEATURES



MFC/LAMINATE
WORKTOP



C/W BOOKTRAY
& MODESTY



LOCKABLE
WHEELS



CONNECTORS
FOR WORKTOP

FOLDABLE TRAINING TABLES

Z SERIES



ABOUT

Imagine what your training room would look like with rows and rows of training tables. But what happens after the training session? Do you need them to nest so that you can store them away until the next session?

The Z series training table comes with an under-table shelf that doubles as storage for the user, allowing you to store files and bags under the table so that the leg space is clear.

Worktop Width: 800mm (min.) - 2000mm (max.)

Worktop Depth: 600mm (min.) - 750mm (max.)

Standard Colours: White, Black, Silver, Dark Grey

FEATURES



MFC/LAMINATE
WORKTOP



C/W BOOKTRAY
& MODESTY



LOCKABLE
WHEELS



CONNECTORS
FOR WORKTOP

FOLDABLE TRAINING TABLES

TORA



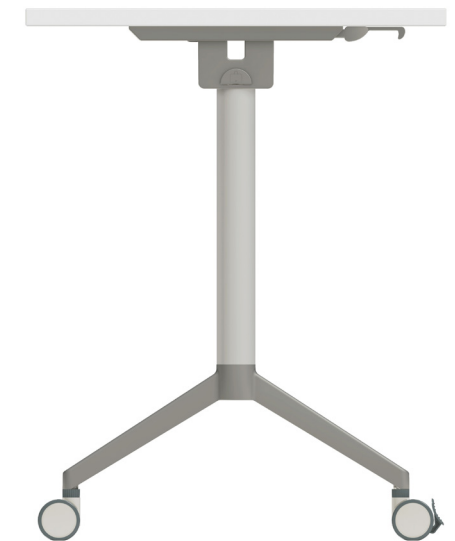
FOLDABLE TRAINING TABLES

TORA



FLIP TOP TABLE

With the evolution of working methods, the dedicated training area has been replaced by various activities and diverse environments. Tora is convenient and flexible, which can be used for conferences, training, seminars, negotiations, and free combinations as well.



FOLDABLE TRAINING TABLES

TORA



STABLE

Y-shaped triangular structure, whole die-casting, stable & comfortable, geometric aesthetic.



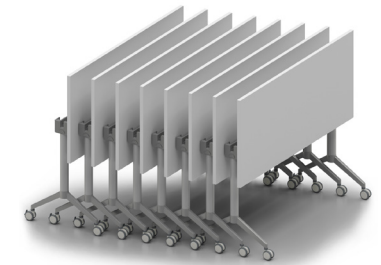
LIGHT

Aluminium alloy table frame, light and stable, brings you a modern office.



SILENT

Silent high-tech lockable universal wheels, height adjustable, no noise, no pollution.



SAVE

The table can be folded 90 degrees when you don't need it. It helps to improve the utilisation of space.



Variety of Combinations



Integrated Raceway



Innovative Accessories



Storage & Hangers



FLEXIBILITY

Multiple tables can be quickly spliced together or separated to meet different needs.



EASY

Frame with cable management trunk can meet the diverse power supply needs of office equipment.

FOLDABLE TRAINING TABLES

GC LEG

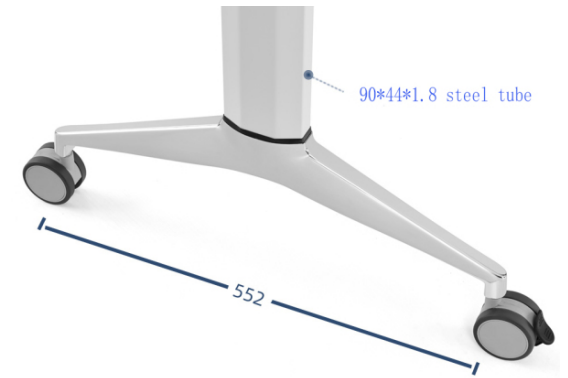


FOLDABLE TRAINING TABLES

GC LEG

FOOT BASE W/ LOCKABLE CASTORS

The footbase is available with either a chrome finish or a powder-coated finish. The powder-coated finish comes in 13 different colours for selection. The steel column is large and is fastened with a wrench.



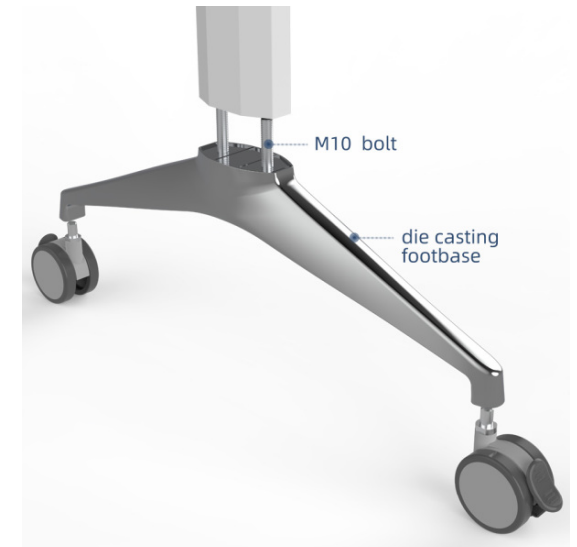
WORKTOP CONNECTORS

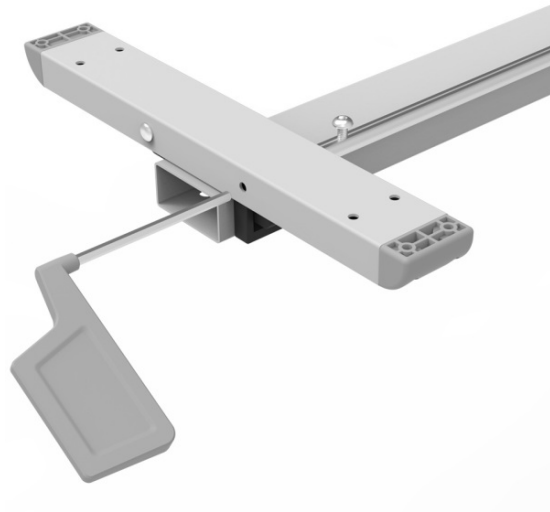
Each table is free-standing but comes with a connector bracket to connect with other tables. This additional accessory helps in connecting multiple tables together. When not in use, the table top connectors can be loosened and kept in place.



T-BASE AND COLUMN

The T-base and steel column are fastened with M10 bolts and are mechanically secured with a die-cast foot base, ensuring the maximum strength of the structure.





FOLDING MECHANISM

The single lever flip mechanism allows the table top to be easily flipped up with one hand. The worktop can be locked in either the upright or horizontal position.



MODESTY PANEL

The fixed metal modesty panel in a powder-coated finish comes in a standard height of 300 mm. The length varies according to the length of the worktop.

FOLDABLE TRAINING TABLES

GC Leg

VARIETY OF SHAPES

The versatility of the legs allows them to be used for worktops of different shapes, such as round, curvy, and more. This worktop can be combined together and can form a meeting or discussion table.



FOLDABLE TRAINING TABLES

FOLD Series



FOLDABLE TRAINING TABLES

FOLD Series

This versatile office foldable table accommodates various worktop shapes and can be combined with other tables to form a larger discussion area. Easily foldable for space-saving when not in use, it provides both flexibility and functionality for modern workspaces.



FOLDABLE TRAINING TABLES
FOLD Series



Spring: Prevents the panel from tipping over



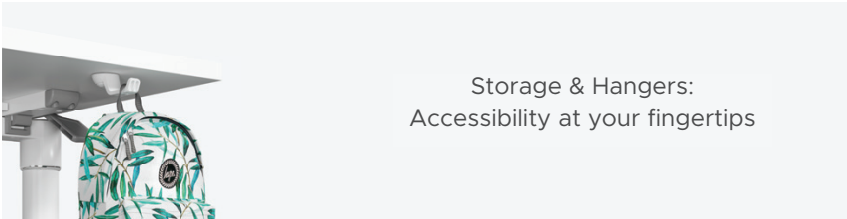
Adjusting Screw: Adjust Desktop Stability



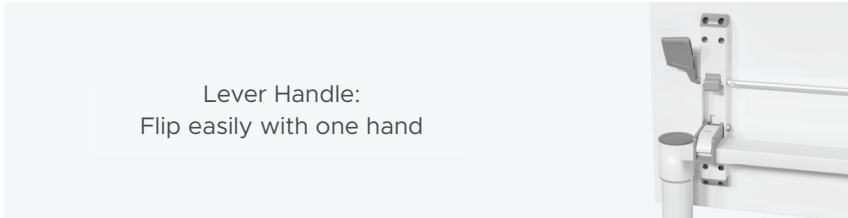
Pad Cushion: Prevents Desktop Collision after Flipping

FOLDABLE TRAINING TABLES

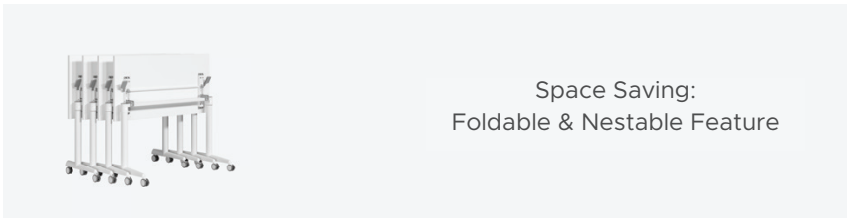
FOLD Series



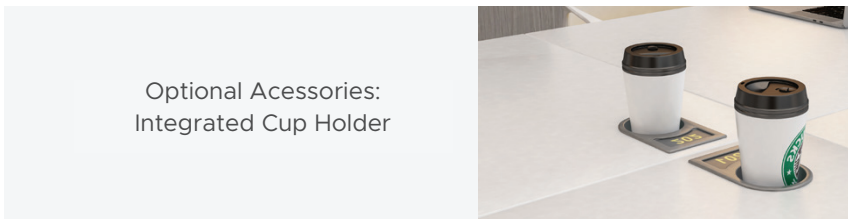
Storage & Hangers:
Accessibility at your fingertips



Lever Handle:
Flip easily with one hand



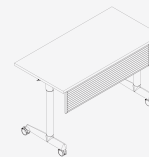
Space Saving:
Foldable & Nestable Feature



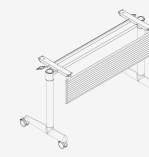
Optional Accessories:
Integrated Cup Holder



PRODUCT PARAMETER



1200 W * 500 D * 750 H
1200 W * 600 D * 750 H
1400 W * 500 D * 750 H
1400 W * 600 D * 750 H
1600 W * 500 D * 750 H
1600 W * 600 D * 750 H



1140 W * 480 D * 725 H
1140 W * 480 D * 725 H
1340 W * 480 D * 725 H
1340 W * 480 D * 725 H
1540 W * 480 D * 725 H
1540 W * 480 D * 725 H

FOLDABLE TRAINING TABLES

SB Series



The minimalist folding table showcases clean lines and a sleek structure, embodying a modern and sophisticated design. Its understated elegance enhances any space, while its practical foldable feature allows for easy storage and efficient use of space. The table's streamlined profile and smooth finish ensure a refined look, making it a perfect fit for contemporary interiors. Ideal for both professional and personal settings, this table blends simplicity with functionality, offering a versatile solution for a variety of needs.



Spring: Prevents the panel from tipping over



Adjusting Screw: Adjust Desktop Stability



Pad Cushion: Prevents Desktop Collision after Flipping

This folding table combines lightness, flexibility, and efficiency in a sleek design. Its clean lines and elegant structure bring a modern touch to any space. The lightweight build allows for easy movement and adjustment, while the flexible folding mechanism ensures efficient use of space. Ideal for contemporary settings, this table offers both style and practicality.

FOLDABLE TRAINING TABLES

SB Series



LIGHT

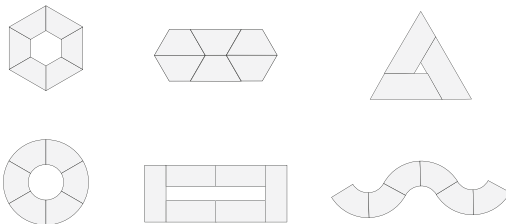
FLEXIBLE

EFFICIENT

FOLDABLE TRAINING TABLES

SB Series

The worktop offers exceptional versatility with a wide range of shape options to suit various needs and preferences. Whether you require a classic rectangular surface, a round table for collaborative discussions, or a custom curvy shape to fit unique spaces, the worktop can accommodate them all. This flexibility allows for seamless integration into diverse office layouts and environments, enabling you to create functional and aesthetically pleasing workspaces. From traditional to modern designs, the adaptable shape options ensure that you can find the perfect fit for any application, enhancing both form and function in your office setup.



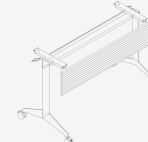
FOLDABLE TRAINING TABLES

SB Series

Training tables offer versatile configurations for various meeting modes, from small team discussions to large group sessions. Their modular design allows for quick reconfiguration, supporting seamless transitions between workshops, presentations, and interactive training. Designed to accommodate different seating arrangements and integrate technology, these tables enhance both efficiency and flexibility in meetings.



- 1200 W * 550 D * 750 H
- 1200 W * 600 D * 750 H
- 1400 W * 550 D * 750 H
- 1400 W * 600 D * 750 H
- 1600 W * 550 D * 750 H
- 1600 W * 600 D * 750 H



- 1145 W * 540 D * 725 H
- 1145 W * 540 D * 725 H
- 1345 W * 540 D * 725 H
- 1345 W * 540 D * 725 H
- 1545 W * 540 D * 725 H
- 1545 W * 540 D * 725 H